

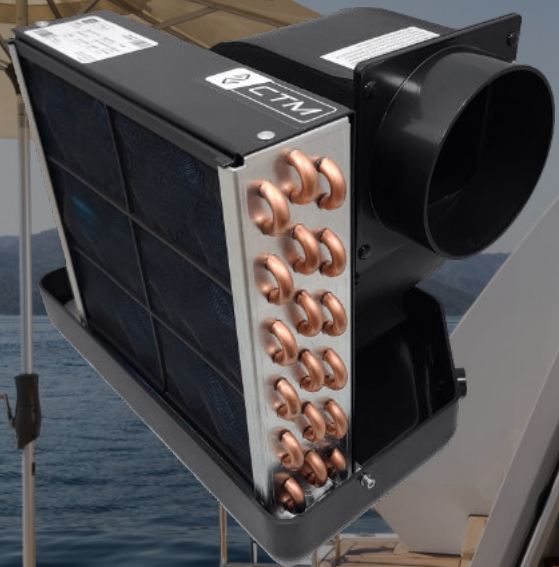


CTM-MARINE CX & EV

High-efficient condensing and evaporating units
for split-system marine air conditioners.

CX

EV



**16k - 24k - 36k
BTU**

**12k - 16k
BTU**



High-Efficient
Compressor



Compact



Cool/Heat



Wi-Fi
Thermostats



Quiet



Titanium
Condenser Coil



Corrosion Free
Base



Universal
Board



Re-usable
Air Filter



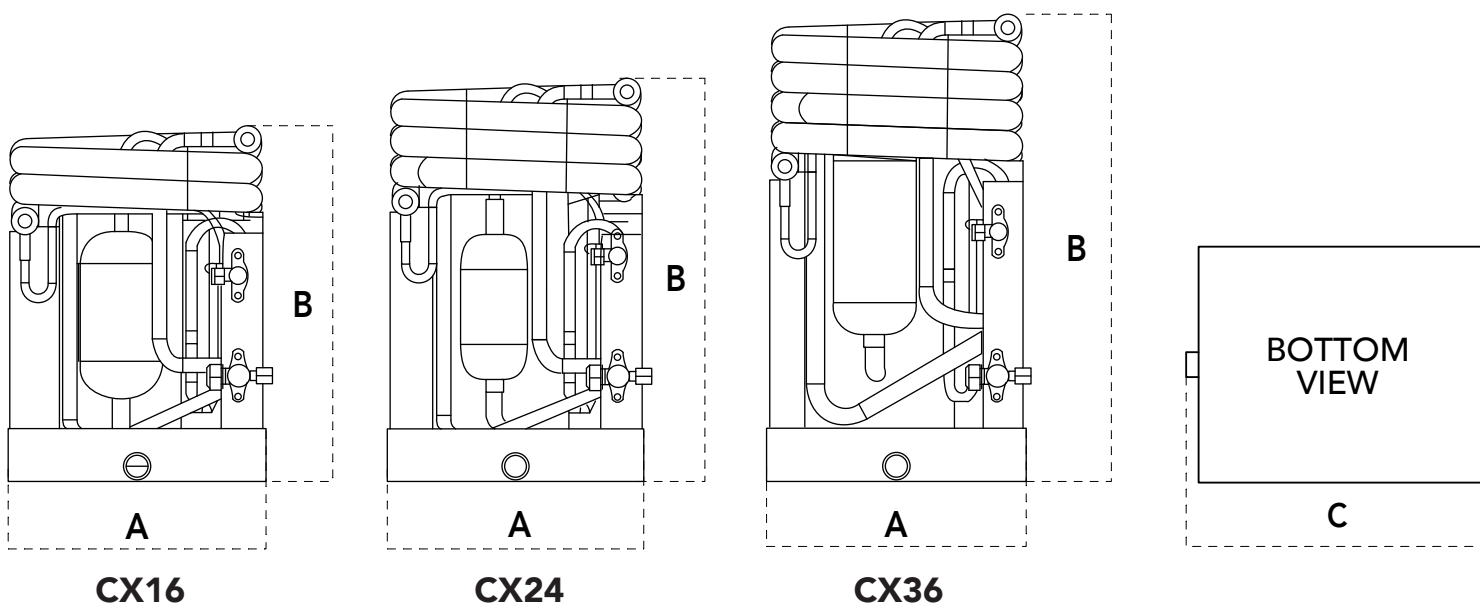
Fire Retardant
Electrical Box

www.ctm-marine.com

Air conditioners for the modern sailor.

	CX16				CX24		CX36	
Capacity (BTU)	16,000				24,000		36,000	
Model No.	CX16	CX16S	CX16H	CX16HS	CX24H	CX24HS	CX36H	CX36HS
Voltage (V)	105-120	105-120	208-240		208-240		208-240	
Cycle (Hz) / Phase (Ph)	50-60 / 1							
Input: Cool (A)	10.5	10.5	5.1		7.6		7.6	
Input: Heat (A)	13.5	13.5	6.6		9		9	
Fuse Max/Min (A)	40 / 25	40 / 25	20 / 13	20 / 15	25 / 16		40 / 25	
Locked Rotator Amps (A)	60	60	34		50		60	
Seawater Inlet Connection (in/mm)	5/8 / 9.52							
Seawater Outlet Connection (in/mm)	5/8 / 9.52							
Seawater Flow (GPH)	500				500		600	
Refrigerant Type	R410A							
Net Weight (lbs/Kg)	42 / 19				60 / 27		81 / 37	
Width (A) in/mm	9.8 / 250							
Height (B) in/mm	13.5 / 344				15.4 / 392		17.9 / 455	
Depth (C) in/mm	13.5 / 344							

S = Soft Start H = 220 v HS = 220 v unit with Soft Start



Model No.	EV12	EV12H	EV16	EV16H
Capacity (BTU)	12,000		16,000	
Voltage (V)	105-120	208-230	105-120	208-230
Cycle (Hz) / Phase (Ph)	50-60 / 1			
Fuse Max (A)	5			
Input Rotor Amps (A)	1.5	0.7	1.7	0.9
Discharge Connection (in/mm)	¼ / 6.35		¼ / 6.35	
Suction Connection (in/mm)	3/8 / 9.52		½ / 12.7	
Seawater Flow (GPH)	250		500	
Refrigerant Type	R410A			
Net Weight (lbs/Kg)	19.84 / 9		24.25 / 11	
Width (A) in/mm	16.1 / 410		16.9 / 430	
Depth (B) in/mm	10.7 / 273		11.6 / 295	
Height (C) in/mm	13.4 / 340		13.9 / 354	

H = 220 v

